



Operator and Parts Manual

Collection System

M-ZT 52 /966793002

M-ZT 61 /966793003

CONGRATULATIONS on the purchase of a new collection system. It has been designed, engineered and manufactured to give you the best possible dependability and performance.

Should you experience any problem you cannot easily remedy, please contact the nearest authorized service center/ department. They have competent, well-trained technicians and the proper tools for service and repairs.

Please read and retain this manual. The instructions will enable you to assemble and maintain the collection system properly. Always observe the SAFETY RULES.

KNOW YOUR BLOWER SYSTEM

READ THIS OPERATION MANUAL AND SAFETY RULES BEFORE ASSEMBLING OR OPERATING THE BLOWER SYSTEM. Compare the illustrations with the carton contents and become familiar with the parts before starting the assembly. Study the operating instructions and safety precautions thoroughly to insure proper functioning of the Grass Catcher and to prevent injuries. Save this manual for future reference.



CAUTION

BEFORE ASSEMBLING GRASS CATCHER TO MOWER:

- Set parking brake.
- Place motion control levers in **NEUTRAL** position.
- Turn ignition key **OFF** and remove key.
- Make sure the blades and all moving parts have completely stopped.



CAUTION

The operation of any mower can result in foreign objects thrown into the eyes, which can result in severe eye damage. **ALWAYS** wear safety glasses or eye shields before starting the mower and while mowing. Standard safety glasses are recommended or a wide vision safety mask for over spectacles.



CAUTION

- **DO NOT** operate mower with grass catcher partially installed.
- Disengage blades and stop engine before leaving mower seat to empty containers, unclogging chutes, etc.
- Close cover before starting.
- Disengage mower blades when crossing driveways or gravel surfaces and other areas where thrown objects could be a hazard.
- **DO NOT** attempt to vacuum cans or other potentially hazardous projectiles.



CAUTION

Do not leave grass in bagger containers. Empty containers after each use and before storing. Failure to do so may result in spontaneous combustion which could develop into a fire.



CAUTION

Grass catcher components are subject to wear, damage and deterioration, which could expose moving parts or allow objects to be thrown. Frequently check components and replace with manufacturer's recommended parts, when necessary.

CONTENTS

SAFETY RULES.....	4
ASSEMBLY	5
OPERATION.....	11
BLOWER ASSEMBLY	12
CHUTES.....	14
BAGGER	16
MOUNT, GUARD, BELT	18

TOOLS REQUIRED

$\frac{7}{16}$ " Wrench or ratchet and socket
 $\frac{9}{16}$ " Wrench or ratchet and socket
 $\frac{1}{2}$ " Wrench or ratchet and socket
 $\frac{3}{4}$ " Wrench or ratchet and socket
 $\frac{7}{8}$ " Socket
Torque Wrench
Phillips Head Screwdriver
Hacksaw
Pliers
Drill and $\frac{3}{8}$ " drill bit

CONTAINER CONTENTS

- Blower/Bagger Assembly
- Belt Shield
- Mounting Brackets
- Drive Pulley
- Belt
- Bag of Hardware

NOTE: When the terms RH (right hand) or LH (left hand) are used, it refers to when the operator is seated on the mower.

SAFETY RULES



SAFE OPERATION PRACTICES FOR RIDE-ON MOWERS



GENERAL OPERATION

- Read, understand and follow all instructions in the manual and on the machine before starting.
- Only allow responsible adults, who are familiar with the instructions, to operate the machine.
- Clear the area of objects such as rocks, stones, toys, wire etc., which could be picked up and thrown by the blades.
- Be sure the area is clear of all people and pets before mowing. Stop the machine if anyone enters the area.
- Never carry passengers or children even with blades off.
- Do not mow in reverse unless absolutely necessary. Always look down and behind before and while backing.
- Do not operate the mower without either the entire grass catcher or the guard in place.
- Slow down before turning.
- Stop engine before removing grass catcher or unclogging chute.
- Mow only in daylight or good artificial light.
- Do not operate the machine while under the influence of alcohol or drugs.
- If the collection system has front weights included, DO NOT operate mower with the grass catcher unless the front weights are installed.
- Keep machine free of grass, leaves or other debris buildup which can touch hot exhaust/engine parts and burn. Do not allow the mower deck to plow leaves or other debris which can cause buildup to occur.
- Allow machine to cool before storage.

SLOPE OPERATION

Slopes are a major factor related to loss-of-control and tip-over accidents, which can result in severe injury or death. All slopes require extra caution. If you cannot back up the slope or if you feel uneasy on it, do not mow it.

DO

- Use extra care with grass catchers or other attachments. These can change the stability of the machine.
- Mow up and down slopes (10° Max.), not across.
- Remove obstacles such as rocks, tree limbs, etc.

- Watch for holes, ruts, or bumps. Uneven terrain could overturn the machine. Tall grass can hide obstacles.
- Use slow speed. Choose a low speed so that you will not have to stop while on the slope.
- Keep all movement on the slopes slow and gradual. Do not make sudden changes in speed or direction.
- Avoid starting or stopping on a slope. If tires lose traction, disengage the blades and proceed slowly straight down the slope.

DO NOT

- Do not turn on slopes unless necessary, and then, turn slowly and gradually downhill, if possible.
- Do not mow near drop-off, ditches, or embankments. The mower could suddenly turn over if a wheel is over the edge of a cliff or ditch, or if an edge caves in.
- Do not mow on wet grass. Reduced traction could cause sliding.
- Do not try to stabilize the machine by putting your foot on the ground.

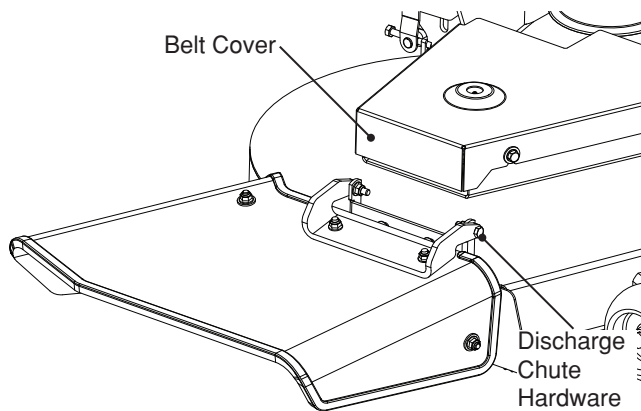
SERVICE

- The operation of any mower can result in foreign objects thrown into the eyes, which can result in severe eye damage. Always wear safety glasses or eye shields while operating the mower or performing any adjustments or repairs. Wide vision safety mask over spectacles or standard safety glasses are recommended.
- Keep nuts and bolts, especially blade attachment bolts, tight and keep equipment in good condition.
- Never tamper with safety devices. Check their proper operation regularly.
- Grass catcher components are subject to wear, damage, and deterioration, which could expose moving parts or allow objects to be thrown. Frequently check components and replace with manufacturer's recommended parts, when necessary.

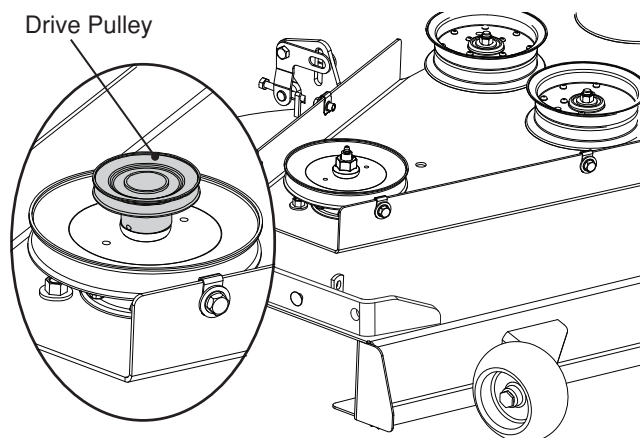
ASSEMBLY

1 DRIVE PULLEY

1. Remove the discharge chute from the deck by removing the side hardware from the chute bracket. Retain the hardware for reuse if the collection system is removed.
2. Lower deck to the lowest cutting position.
3. Remove the right hand (discharge side) belt cover from the deck.

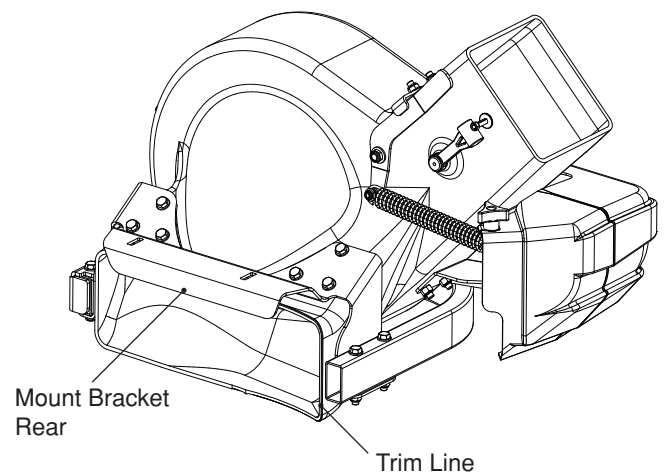


4. Relieve the tension from the deck belt and remove the belt from the center deck pulley. (See Operator Manual if necessary)
5. Remove the nut securing the right hand deck pulley to the spindle.
6. Install drive pulley included in collection system kit on top of the current deck pulley.
7. Reinstall the nut on the spindle and torque to 55-75 ft/lbs.
8. Reinstall the deck belt.



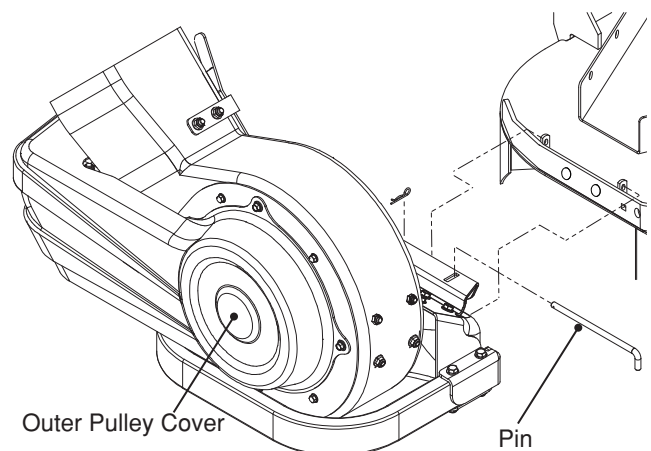
2 TRIMMING BLOWER

1. Place blower assembly on secure table or stable surface.
2. Remove the bolts securing the rear mount bracket.
3. Using the hacksaw, trim the blower housing along the recessed grooves.
4. Reinstall the rear mount bracket with previously removed bolts.



3 MOUNTING BLOWER ASSEMBLY

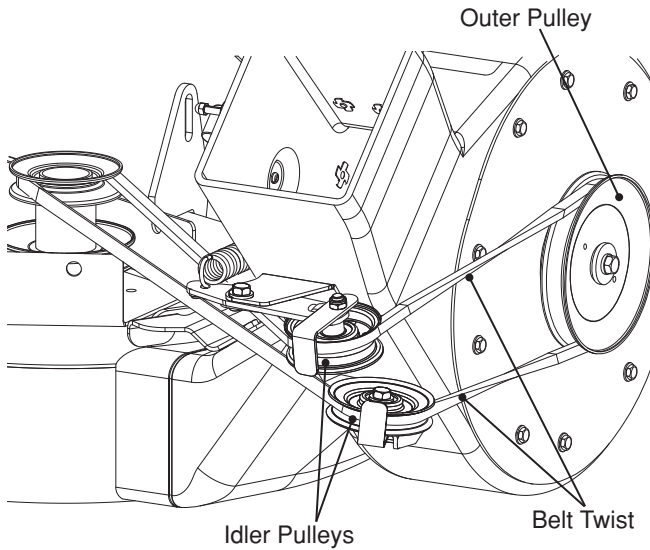
1. Position blower over the discharge tabs on the deck and set blower onto the deck.
2. Install the front mount bracket to the deck with the pin and hairpin cotter supplied with the kit.



ASSEMBLY

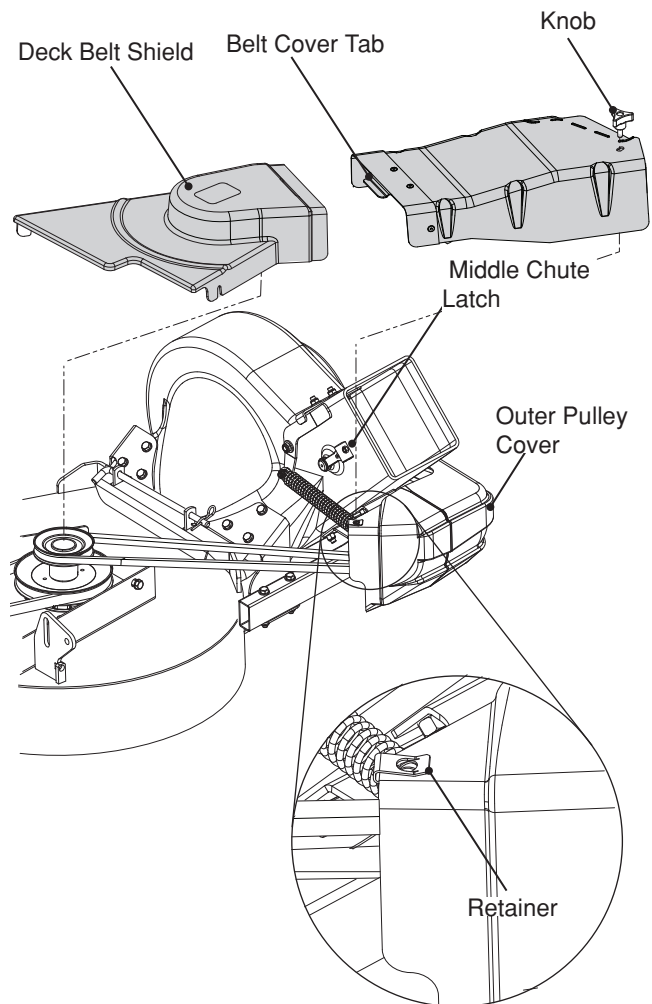
4 DRIVE BELT

1. Make sure the tension release lever is forward (disengaged).
2. Place the belt over the pulley on the deck. Refer to illustration for proper routing.
3. Move the tension release arm to the rear and engage in the latch.



5 BELT COVERS

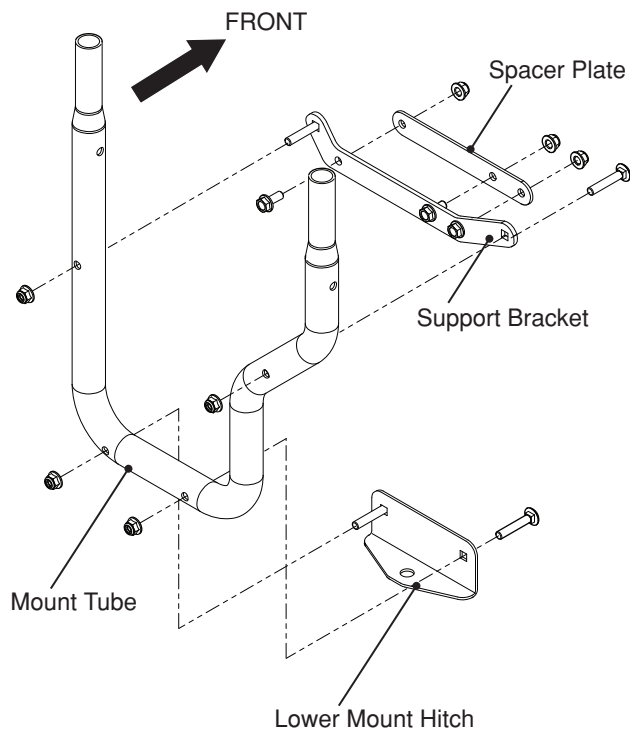
1. Place the deck belt shield on the deck over the drive pulley and secure with hardware removed from steel belt shield.
2. Place retainer on the outer pulley cover.
3. Align the tab end of the belt cover into the slot on the deck belt shield and the other end over the end of the outer pulley cover.
4. Secure with knob.



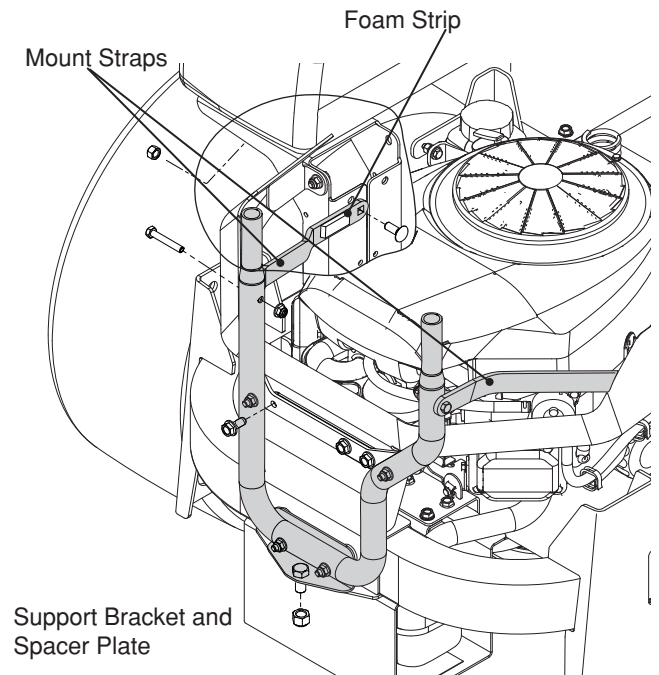
ASSEMBLY

6 BAGGER MOUNT

1. Using 1 $\frac{3}{4}$ " round head shoulder bolts and nuts, attach the mount hitch to the mount tube as illustrated. Make sure the elbowed arm of the tube is on the right side, with the mount hitch installed to the front.
2. Attach the support bracket to the tube assembly with two 1 $\frac{3}{4}$ " round head shoulder bolts and nuts.
3. With a 1" hex bolt and nut, secure the lower mount hitch to the frame.



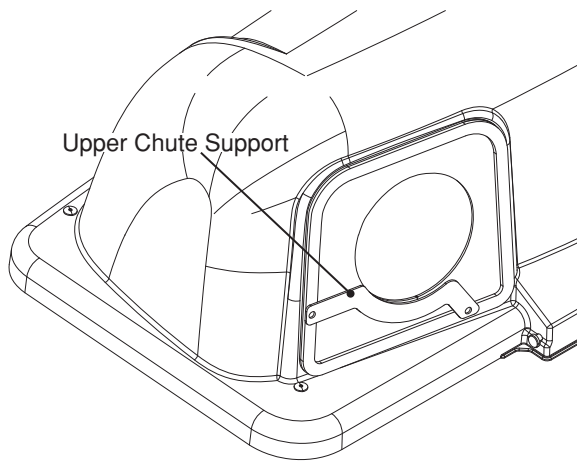
4. Install the mount straps (bends are to the inside) on the outside of the mount tube using 2" hex bolts and nuts. The front side of the mount straps are secured to the fuel tank brackets with 1" round head shoulder bolts and nuts.
5. To prevent contact of the left hand strap with the EFM (Electronic Fuel Management) box on the engine, place the foam strip on the inside of the strap, next to the box. (Illustration location is approximate.)
6. It may necessary to drill holes into the rear guard to accept the hardware for the support bracket and spacer plate. Using the bracket as a template, drill $\frac{5}{16}$ " holes.
7. Slip the spacer plate between the support bracket and the rear guard and attach both to the rear guard with $\frac{3}{4}$ " hex bolts and nuts as illustrated.
8. Tighten all hardware.



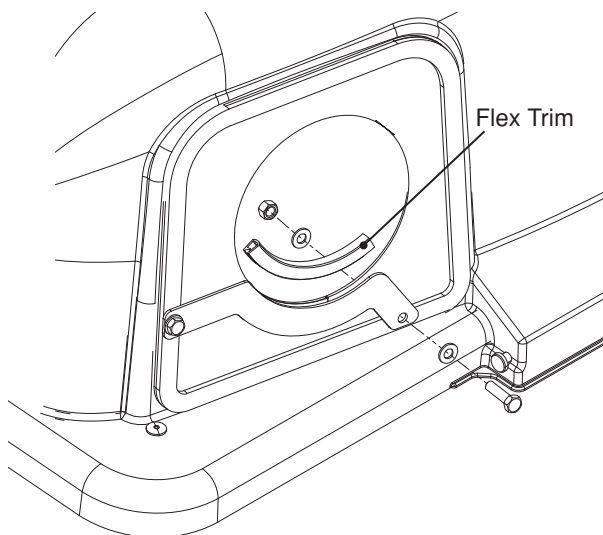
ASSEMBLY

7 CHUTE SUPPORT

1. Position upper chute support against bagger inlet, flush at outer edges. See Illustration.
2. Using support as a template, drill two $\frac{3}{8}$ holes into bagger hood.



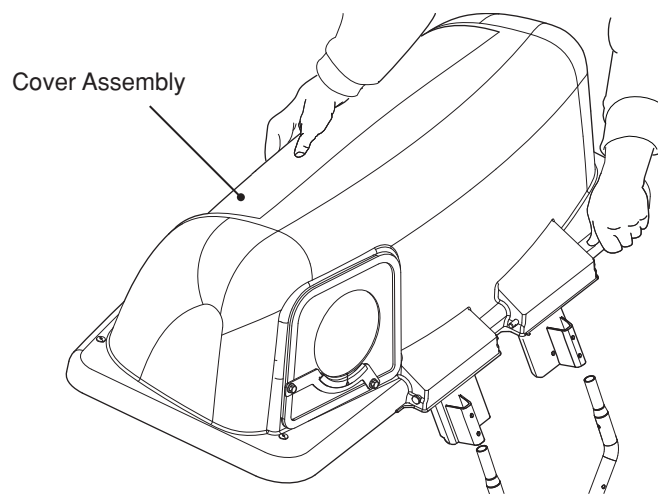
3. Secure upper chute support to hood with hex bolts, washers and nyloc nuts.



8 COVER ASSEMBLY

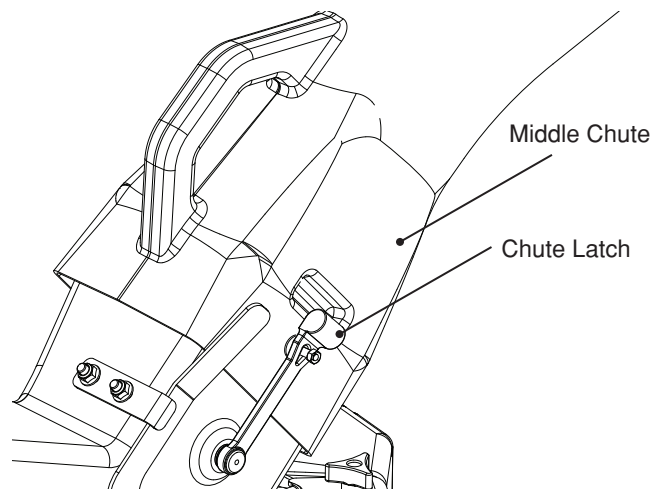
NOTE: For ease of assembly, you may wish assistance from another person for mounting the cover assembly to mower.

1. Position cover assembly on ground behind mower.
2. Lift and rotate cover to align the cover brackets with support assembly tubes.
3. Slide the cover down over the support tubes until secure.



9 MIDDLE CHUTE

1. Place middle chute over the top end of the blower assembly, lining up the blower latch and the acorn nut on the middle chute.
2. Stretch bungee latch up onto acorn nut to secure.

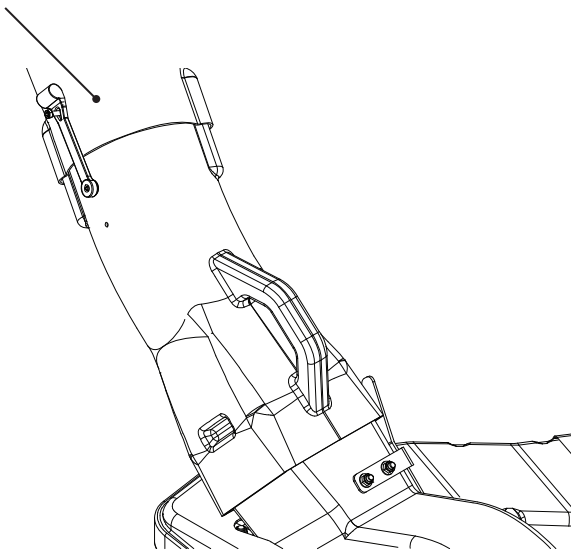


ASSEMBLY

10 UPPER CHUTE ASSEMBLY

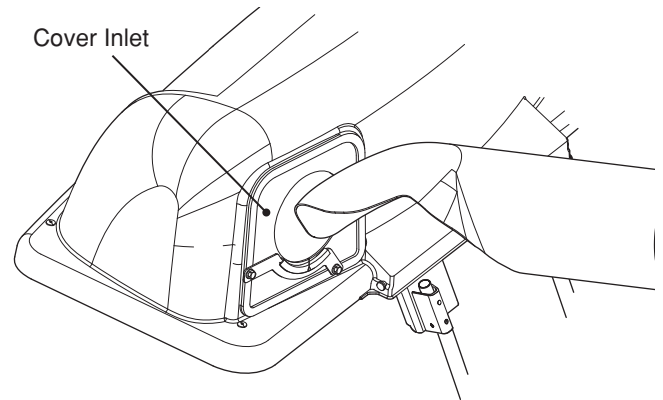
1. Slide upper chute onto middle chute, lining up the middle chute latch and the acorn nut on the upper chute.
2. Stretch bungee latch up onto acorn nut to secure.

Upper Chute



11 CHUTE / HOOD INSTALLATION

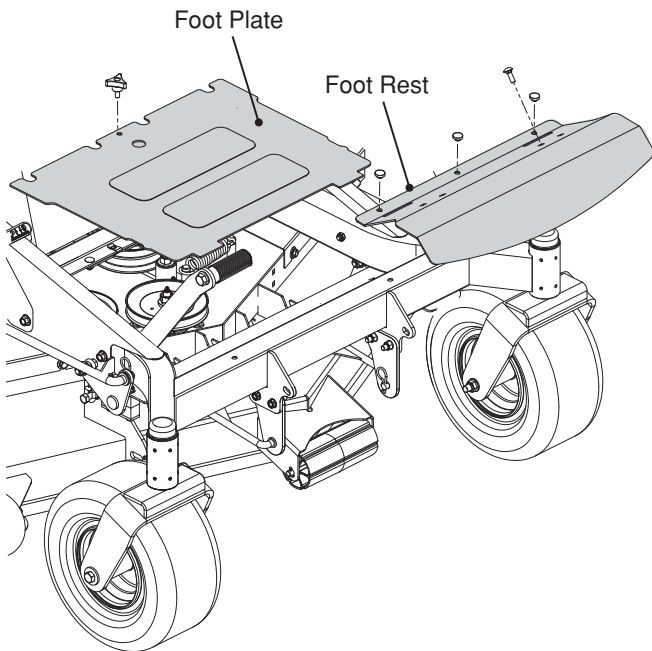
Push upper chute through the gasketed opening in the cover assembly.



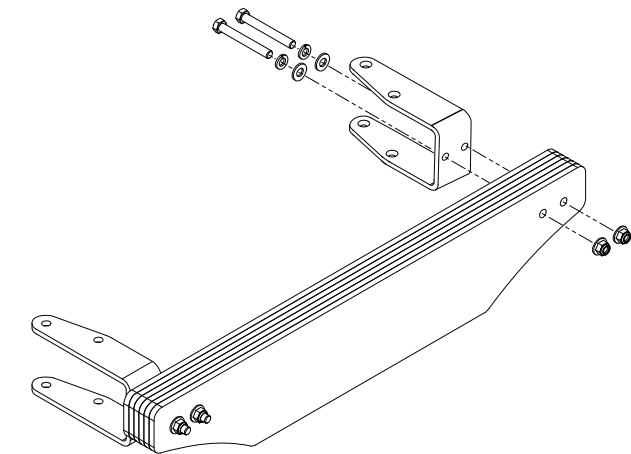
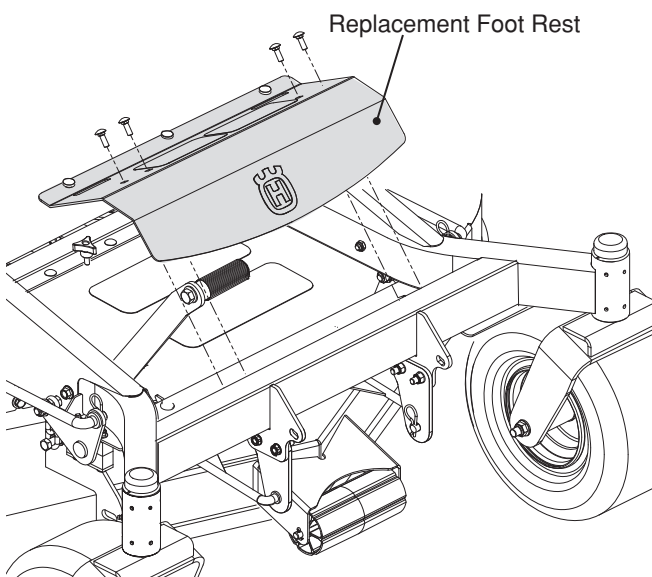
ASSEMBLY

12 WEIGHT ASSEMBLY

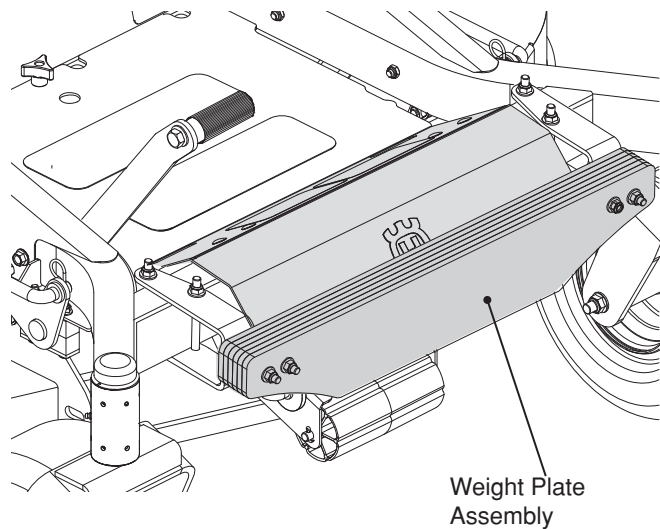
1. Remove the foot plate knob and foot plate. Set aside for later reuse.
2. Remove and reserve the three rubber grommets from the foot rest.
3. Remove the foot rest for replacement. Retain hardware for reuse.
6. Fasten the three weight plates to the weight brackets.



4. Install the three rubber grommets to the new foot rest and fasten the assembly to the frame with the hardware from the old foot rest.
5. Reinstall the foot plate and secure with the knob.



7. Secure the weight plate assembly to the front frame of the mower between the caster wheels.



OPERATION

TIPS FOR IMPROVED BAGGING

- Follow the mower operation instructions in your mower operator manual.
- When operating the grass catcher on a lawn where grass and leaf bagging equipment has not been used, thatch and debris that has accumulated for long periods of time is picked up. The amount collected and the total time of operation may be greater than experienced with regular use of the grass catcher.
- Always run throttle at full speed when bagging.
- Select a speed low enough to give good mower cutting performance, good quality cut and good bagging performance.

NOTE: *It may be necessary to overlap width of cut to suit conditions.*

- If grass is extremely tall, it should be mowed twice. The first time relatively high, the second time to desired height.
- Use left hand side of mower for trimming.
- Plastic trash bags (3.0 mil, 30 gallon) can be inserted inside grass catcher containers for ease of debris disposal. To remove the plastic trash bags when full:
 - a. Disengage blades, shift into neutral, engage the parking brake and stop the engine.
 - b. Unlatch and raise cover.
 - c. Remove one container at a time by grasping container handles and pulling toward the rear, off of the tube rails.
 - d. With the container resting on the ground, close and secure the top of the plastic lawn bag.
 - e. Tip the container on its side and slide the filled bag from the container.
 - f. Install a new plastic lawn bag with the edges of the bag draped over upper lip of the Container.
 - g. Repeat for other containers.
 - h. Reinstall containers making sure center containers overlap at center supports.
 - i. Close cover and secure latches over center support tubes.
- Avoid cutting wet grass or in the morning while the dew is still heavy. Grass clippings collected under these conditions tend to be sticky and adhere to the walls of the flow path causing clogging.

- If the grass catcher fails to pick up cut grass or leaves, it is an indication that clogging has occurred in the system or that the grass catcher containers are full.
 - a. Disengage blades, place motion control levers in neutral position.
 - Unlatch and raise cover.
 - Slide out containers and dispose of clippings.
 - Replace containers, close cover, and latch.
 - b. Unlatch chutes and check for clogging.
 - Remove all debris in chute.
 - Reassemble and latch chutes.

GENERAL RECOMMENDATIONS

Always observe safety rules when performing any maintenance. Before each use check for loose fasteners. Clean unit thoroughly after each use.

BLADE CARE

For best results mower blades must be kept sharp. Replace bent or damaged blades.

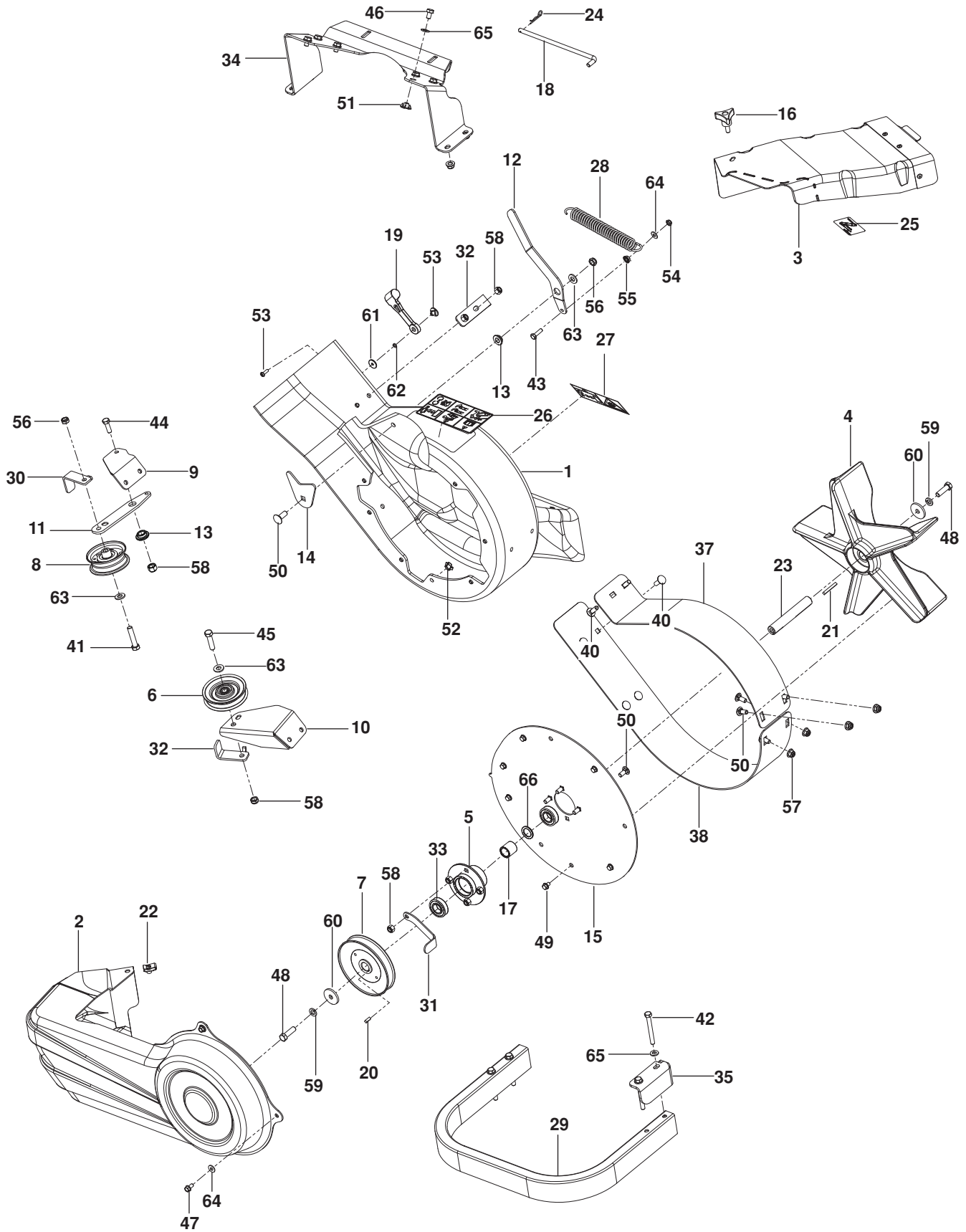
See BLADE CARE instructions in the mower operator manual.

STORAGE

When grass catcher is to be stored for a period of time, clean it thoroughly, remove all dirt, grass, leaves, etc. Store in a clean, dry place.

REPAIR PARTS

BLOWER ASSEMBLY



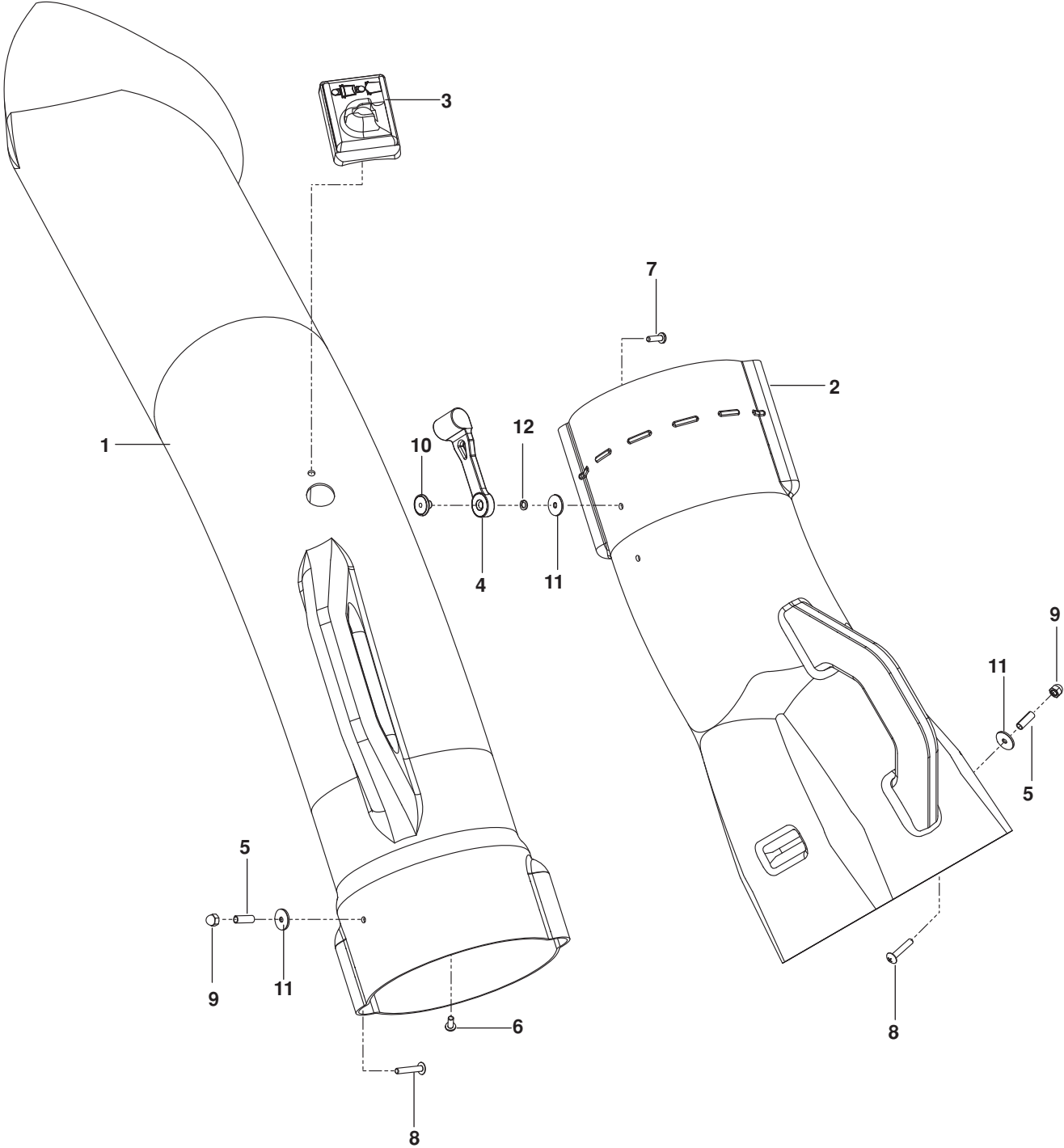
REPAIR PARTS

ITEM	PART NO.	QTY.	DESCRIPTION	ITEM	PART NO.	QTY.	DESCRIPTION
1..	539 130344....	1....	HOUSING w/DECALS	33..	539 130296....	2....	BEARING
2..	539 130293....	1....	COVER, BELT	34..	522 909602....	1....	BRACKET, MOUNT
3..	574 411501....	1....	COVER, BELT	35..	522 909502....	1....	BRACKET, RETENTION
4..	539 130292....	1....	IMPELLER	36..	525 618302....	1....	SAND LINER, TOP
5..	539 130295....	1....	HUB	37..	522 909702....	1....	SAND LINER, BOTTOM
6..	539 113683....	1....	PULLEY, V-IDLER	38..	539 990645....	1....	RHSNB $\frac{3}{8}$ -16 x 1
7..	539 130324....	1....	PULLEY	39..	539 990316....	6....	RHSNB $\frac{5}{16}$ -18 x $\frac{3}{4}$
8..	579 150802....	1....	PULLEY, IDLER	40..	539 990208....	6....	RHSNB $\frac{5}{16}$ -18 x 1
9..	579 137402....	1....	MOUNT, UPPER BLK	41..	539 976949....	1....	HCS $\frac{3}{8}$ -16 x $1\frac{3}{4}$
10..	579 137502....	1....	MOUNT, LOWER BLK	42..	539 101721....	4....	HCS $\frac{5}{16}$ -18 x $2\frac{3}{4}$
11..	579 137302....	1....	ARM, IDLER	43..	539 990643....	1....	HCS $\frac{1}{4}$ -20 x $\frac{7}{8}$
12..	539 130338....	1....	ARM, TENSION	44..	539 990209....	1....	HCS $\frac{5}{16}$ -18 x 1
13..	539 130301....	2....	BUSHING	45..	539 990655....	1....	HCS $\frac{3}{8}$ -16 x $1\frac{1}{2}$
14..	539 132124....	1....	PLATE, BACKING	46..	539 130315....	6....	HCS $\frac{5}{16}$ -18 x $\frac{1}{2}$
15..	539 130341....	1....	PLATE, OUTER	47..	539 108461....	3....	BOLT $\frac{1}{4}$ -20 x $\frac{1}{2}$ HWST
16..	539 104411....	1....	KNOB w/ STUD	48..	539 110321....	2....	BOLT $\frac{3}{8}$ -24 x $1\frac{1}{4}$ HEX GR 8
17..	539 130323....	1....	SPACER	49..	539 990302....	8....	SCREW $\frac{1}{4}$ -20 x $\frac{3}{8}$ THD FRM
18..	522 909801....	1....	PIN, RETENTION	50..	539 976952....	1....	SCREW #10-24 x $\frac{5}{8}$ MACH
19..	539 108088....	1....	LATCH, HOOD	51..	539 130313....	6....	NUT $\frac{5}{16}$ -18 TEE
20..	539 115667....	1....	KEY $\frac{3}{16}$ x $\frac{1}{2}$	52..	539 130314....	9....	NUT $\frac{1}{4}$ -20 TEE
21..	539 125229....	1....	KEY $1\frac{1}{2}$	53..	539 108089....	1....	WELDNUT, PLATED
22..	539 104763....	1....	RETAINER, U TYPE	54..	539 108120....	1....	NUT $\frac{1}{4}$ -20 HEX THIN NYLOC
23..	539 130316....	1....	SHAFT, IMPELLER	55..	539 108735....	1....	NUT $\frac{1}{4}$ -20 HEX FLANGE LK
24..	539 976988....	1....	HAIRPIN COTTER	56..	539 200282....	3....	NUT $\frac{3}{8}$ -16 HEX JAM NYLOC
25..	539 130349....	1....	DECAL, BELT ROUTING	57..	539 112899..	10....	NUT $\frac{5}{16}$ -18 HEX FLG NYLOC
26..	539 105785....	1....	DECAL, WARNING	58..	539 990717....	9....	NUT $\frac{5}{16}$ -18 HEX NYLOC
27..	539 106741....	1....	DECAL, SEVERING	59..	539 990118....	2....	WASHER $\frac{3}{8}$ SLW
28..	539 101977....	1....	SPRING, TRACTION	60..	532 140296....	2....	WASHER, HARDENED
29..	522 909402....	1....	TUBE, RUB	61..	539 108084....	1....	WASHER $\frac{3}{16}$ x $\frac{3}{4}$ x 16 GA
30..	579 137602....	1....	KEEPER, BELT REAR BLK	62..	539 109552....	1....	WASHER $\frac{3}{16}$ SLW
31..	539 131085....	1....	KEEPER, BELT OUTER BLK	63..	539 990122....	3....	WASHER $\frac{3}{8}$ SAE FLT
32..	579 137702....	1....	KEEPER	64..	539 990055....	4....	WASHER $\frac{1}{4}$ FLAT SAE
				65..	539 990188..	10....	WASHER $\frac{5}{16}$ SAE FLAT

NOTE: ALL FASTENERS ARE GRADE 5 UNLESS OTHERWISE SPECIFIED.

REPAIR PARTS

CHUTES



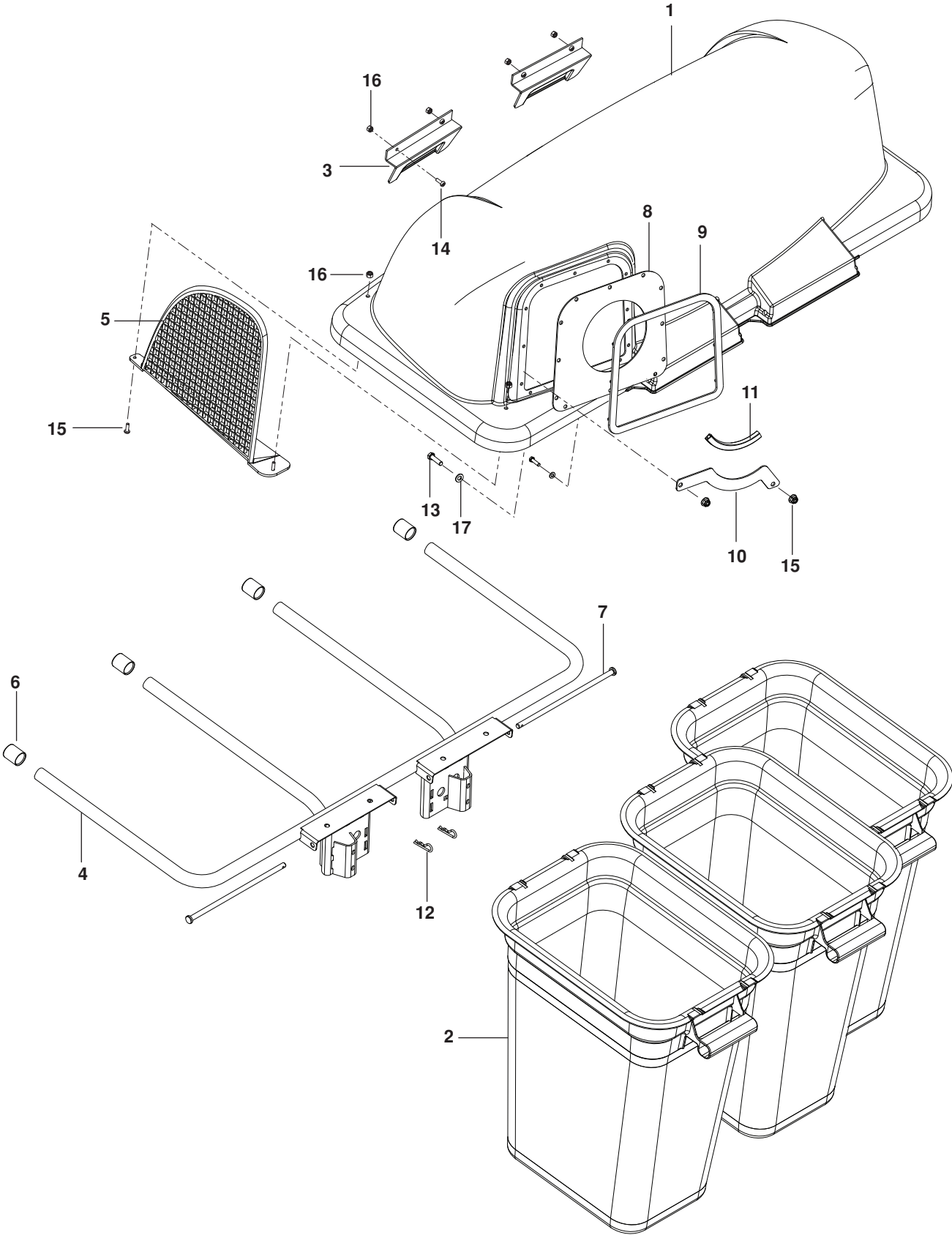
REPAIR PARTS

ITEM	PART NO.	QTY.	DESCRIPTION	ITEM	PART NO.	QTY.	DESCRIPTION
1..	539 108141....	1....	CHUTE, UPPER	7..	539 976952....	1....	SCREW #10-24 x 5/8
2..	539 130294....	1....	CHUTE, MIDDLE	8..	539 108083....	2....	SCREW #10-24 x 1 1/8
3..	539 130933....	1....	INDICATOR, BAG DUMP	9..	539 108086....	2....	NUT #10-24 ACORN
4..	539 108088....	1....	LATCH, HOOD	10..	539 108089....	1....	WELDNUT, PLATED
5..	539 108085....	2....	SPACER, SPLIT	11..	539 108084....	3....	WASHER 3/16 x 3/4 x 16 GA
6..	539 108081....	1....	SCREW #10-14 x 1/2	12..	539 109552....	2....	WASHER 3/16 LOCK

NOTE: ALL FASTENERS ARE GRADE 5 UNLESS OTHERWISE SPECIFIED.

REPAIR PARTS

BAGGER



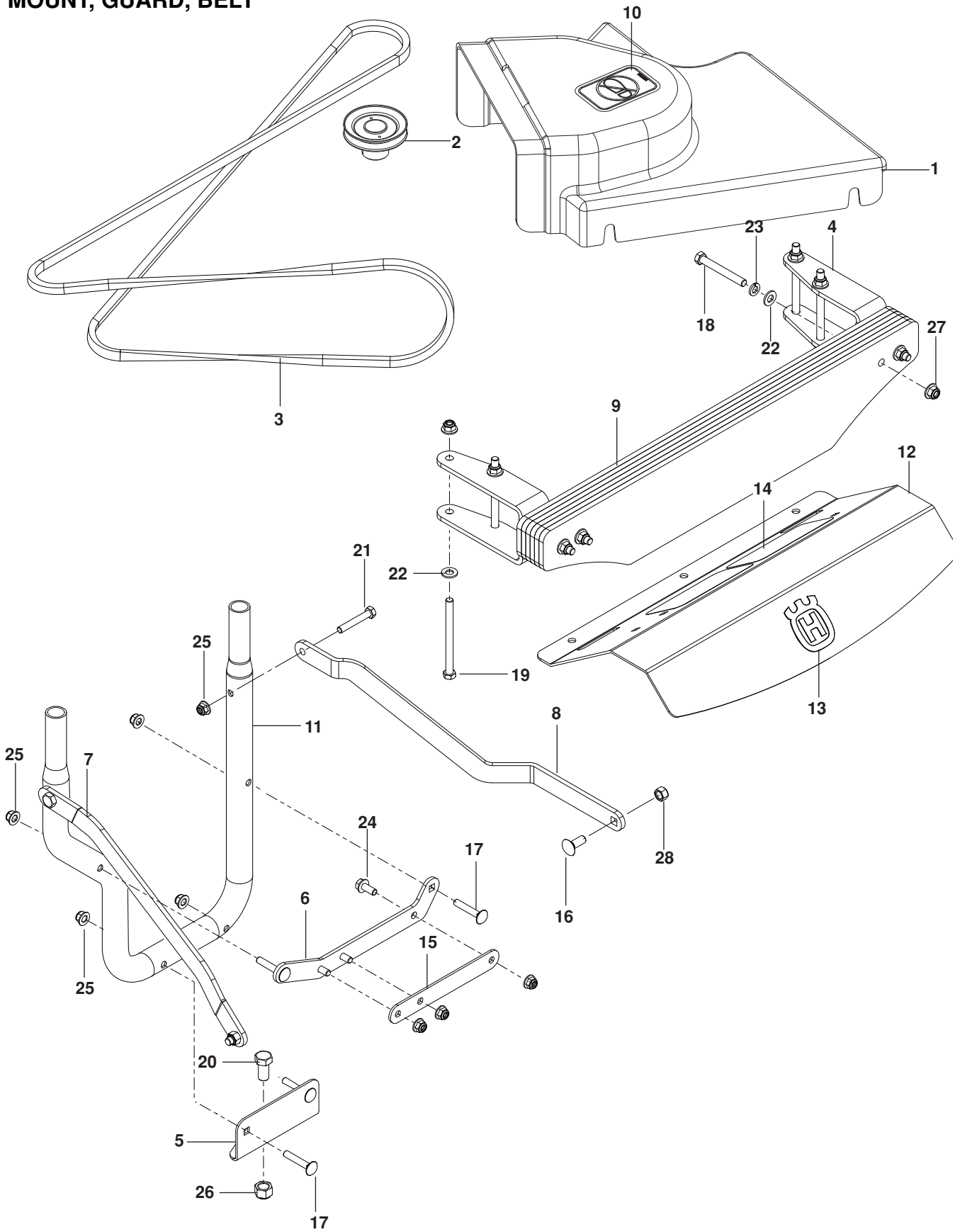
REPAIR PARTS

ITEM	PART NO.	QTY.	DESCRIPTION	ITEM	PART NO.	QTY.	DESCRIPTION
1..	532 195373....	1....	COVER	10..	539 110281....	1....	SUPPORT, CHUTE
2..	532 400226....	3....	CONTAINER, SOFT BAG	11..	539 112294....	1....	FLEX TRIM
3..	532 130895....	2....	HANDLE, BAGGER COVER	12..	539 108096....	2....	HAIR PIN
4..	532 176990....	1....	FRAME, BAGGER	13..	539 990627....	2....	HCS $\frac{5}{16}$ -18 x $1\frac{1}{4}$
5..	532 192709....	1....	SCREEN, COVER	14..	539 976952....	6....	SCREW #10-24 x $\frac{5}{8}$
6..	532 174083....	2....	PLUG, SPACER	15..	539 112899....	2....	NUT $\frac{5}{16}$ -18 HEX FLG NYLOC
7..	532 192786....	2....	PIN, HINGE	16..	539 976977....	6....	NUT #10-24 CROWNLOCK
8..	532 192550....	1....	SEAL, COVER	17..	539 990188....	4....	WASHER $\frac{5}{16}$ SAE
9..	532 192603....	1....	GASKET, COVER				

NOTE: ALL FASTENERS ARE GRADE 5 UNLESS OTHERWISE SPECIFIED.

REPAIR PARTS

MOUNT, GUARD, BELT



REPAIR PARTS

ITEM	PART NO.	QTY.	DESCRIPTION	ITEM	PART NO.	QTY.	DESCRIPTION
1..	539 130307....	1....	SHIELD, BELT, 52"	15..	576 221502....	1....	SPACER
	539 130308 ...1 ...		SHIELD, BELT, 61"	16..	539 990645....	2....	RHSNB $\frac{3}{8}$ -16 x 1
2..	539 130320....	1....	PULLEY, 52"	17..	539 990861....	4....	RHSNB $\frac{5}{16}$ -18 x $1\frac{3}{4}$
	539 130321 ...1 ...		PULLEY, 61"	18..	539 101341....	4....	HCS $\frac{3}{8}$ -16 x 3
3..	539 130347....	1....	BELT 52"	19..	539 102334....	4....	HCS $\frac{3}{8}$ -16 x $4\frac{1}{2}$
	539 130348 ...1 ...		BELT 61"	20..	539 990646....	1....	HCS $\frac{1}{2}$ -13 x 1
4..	584 812002....	1....	FOOT REST	21..	539 976937 ... 2 ...		HCS $\frac{5}{16}$ -18 x 2
5..	539 132192....	1....	MOUNT, HITCH	22..	539 990122 ... 8 ...		WASHER $\frac{3}{8}$ SAE FLT
6..	576 221402....	1....	BRACKET, SUPPORT	23..	539 990118 ... 4 ...		WASHER $\frac{3}{8}$ LK
7..	539 132198 ... 1 ...		STRAP, RT BLK	24..	525 464701 ... 3 ...		HHFS $\frac{5}{16}$ -18 x $\frac{3}{4}$
8..	575 953302....	1 ...	STRAP, LT BLK	25..	539 112899....	9....	NUT $\frac{5}{16}$ -18 HEX FLG NYLOC
9..	539 113232....	6....	PLATE, WEIGHT	26..	539 101331....	1....	NUT $\frac{1}{2}$ -13 HEX NYLOC
10..	522 989002....	2....	BRACKET, WEIGHT	27..	521 966501....	8....	NUT $\frac{3}{8}$ -16 HEX FLG NYLOC
11..	539 131091 ... 1 ...		TUBE, MOUNT	28..	539 976979... 2....		NUT $\frac{3}{8}$ -16 HEX NYLOC
12..	539 105743....	1....	DECAL, NO STEP				NOT SHOWN
13..	532 428676....	1....	DECAL, CROWN		539 110290 ...1 ...		BLOCK, FOAM
14..	539 121322....	2....	ABRASIVE PAD				

NOTE: ALL FASTENERS ARE GRADE 5 UNLESS OTHERWISE SPECIFIED.

